

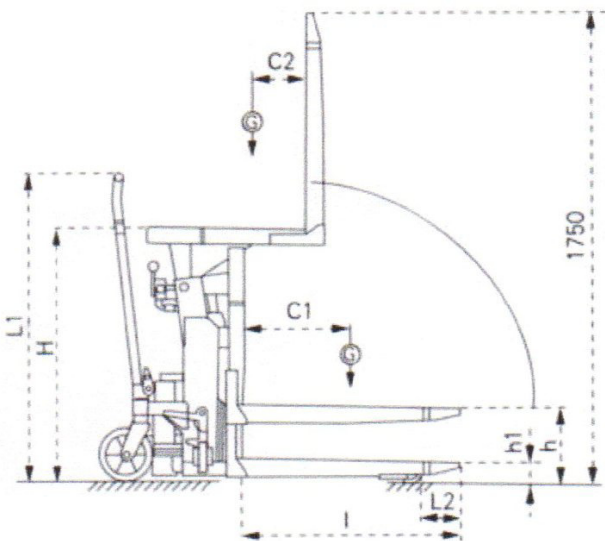
Pallet Lifter Type 7954



The pallet tilter lifts, tilts and transports crates or boxes on pallets.

The pallet tilter is designed to give the user an ergonomically correct position to reach loads easily, without the need for bending down or stretching up

- Handle can be turned and locked in position away from the work area
- Applies to both standing and sitting positions
- Forks can be tilted up to 90°
- Supplied with parking brake and foot protectors as standard
- Lift and tilt are performed by hand hydraulic action



Model	7954	
	Capacity	1000kg
h	Max fork height (without tilt)	285mm
h1	Min fork height (without tilt)	85mm
I	Fork length	800mm
L1	Handle height	1138mm
b	Overall fork width	560mm
b1	Width between forks	234mm
L2	Fork tip length from roller	135mm
B	Overall width	640mm
L	Overall length	1325mm
H	Raised height forks (tilted)	950mm
	Overall height (forks tilted)	1750mm
C1	Load centre	200mm to 400mm
C2	Load centre	200mm to 400mm
	Nett weight	178kg approx

