

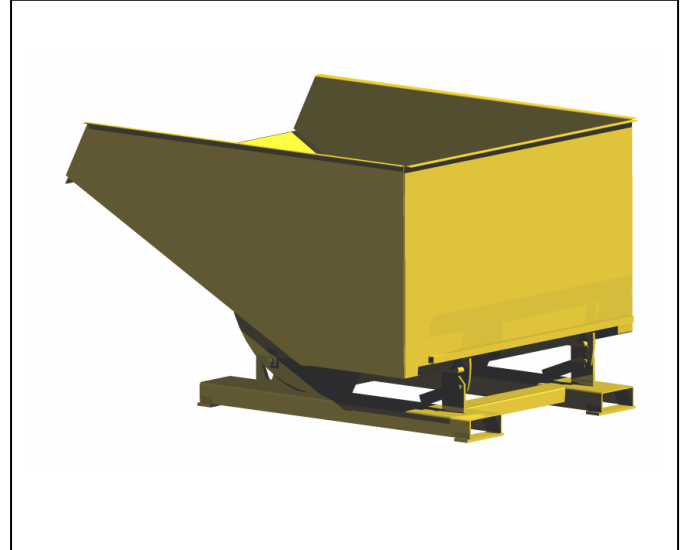
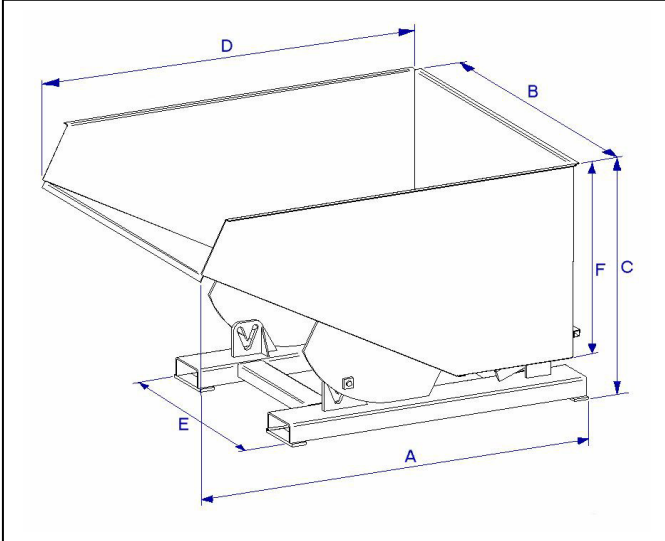
Self Dumping Hoppers

Use :-

Designed to be placed in production areas, Roll forward Skips keep working areas clear and allow safe and speedy removal of scrap or rubbish to the appropriate skip or waste collector. All skips have unique twin locks and simple to operate release mechanism

Ordering Information :-

Product to be handled ?
Fork Width & Thickness ?
Fork Spread ?
Truck Capacity ?
Type of Working environment?



Type	Volume	Capacity	A	B	C	D	E	F
4935w	0.25m ³	1000kg	1148mm	794mm	678mm	1025mm	890mm	547mm
4936w	0.40m ³	1000kg	1410mm	794mm	781mm	1197mm	890mm	547mm
1163w	0.80m ³	1000kg	1480mm	1300mm	834mm	1325mm	890mm	600mm
1164w	1.20m ³	1250kg	1710mm	1300mm	985mm	1540mm	890mm	750mm
4937w	1.60m ³	1500kg	1710mm	1700mm	985mm	1540mm	890mm	750mm
4938w	2.00m ³	1500kg	1710mm	2125mm	985mm	1540mm	890mm	750mm

Maximum Fork Size 150 x 65 mm

Physical properties

Type	Weight (without castors)	C of G (min)	C of G (max)	Load centre
4935w	100kg	542mm	818mm	595mm
4936w	110kg	598mm	899mm	679mm
1163w	145kg	667mm	1042mm	735mm
1164w	170kg	756mm	1145mm	835mm
4937w	180kg	768mm	1178mm	835mm
4938w	225kg	792mm	1181mm	835mm

Optional Extras

C - Standard Castors
BC - Braked Castors
CIC - Heavy Duty Castors
CIBC - Heavy Duty Braked Castors
LL - Lifting Lugs
F - Fork Clamps
S - Security Chain
D - Drain Tap
AR - Auto Retention