

Mini Hand Pallet Truck – 500kg



The mini pallet truck is designed for light to medium use.

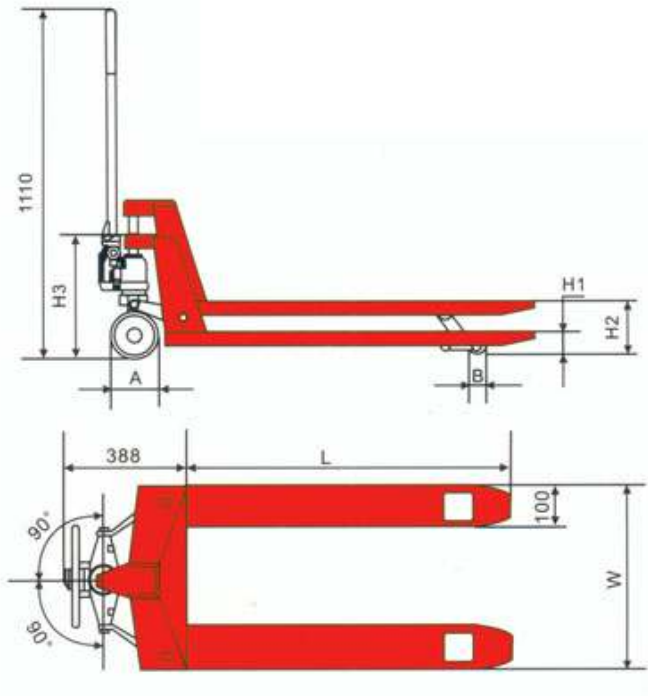
It's compact size and low weight allow it to be easily transported in vans as well as being very manoeuvrable thanks to its minimal turning radius.

The forks are designed to work with most printer's pallets and other small pallets.

If you are not sure whether this truck is suitable for you, please email us a photo or a sketch of your pallet with the basic dimensions.

This mini hand pallet truck also has a lowered height of only 60mm, making it ideal for small low profile pallets.

The mini pallet truck is very popular in the printing and photographic industries as well as by delivery van drivers with little room in the vehicle and/or weight limits.



Capacity: 500kg

Fork W x L: 380mm x 800mm

Width of each fork: 100mm

Min fork height H1: 60mm

Max fork height H2: 170mm

Wheels: poly steer wheels, single nylon rollers